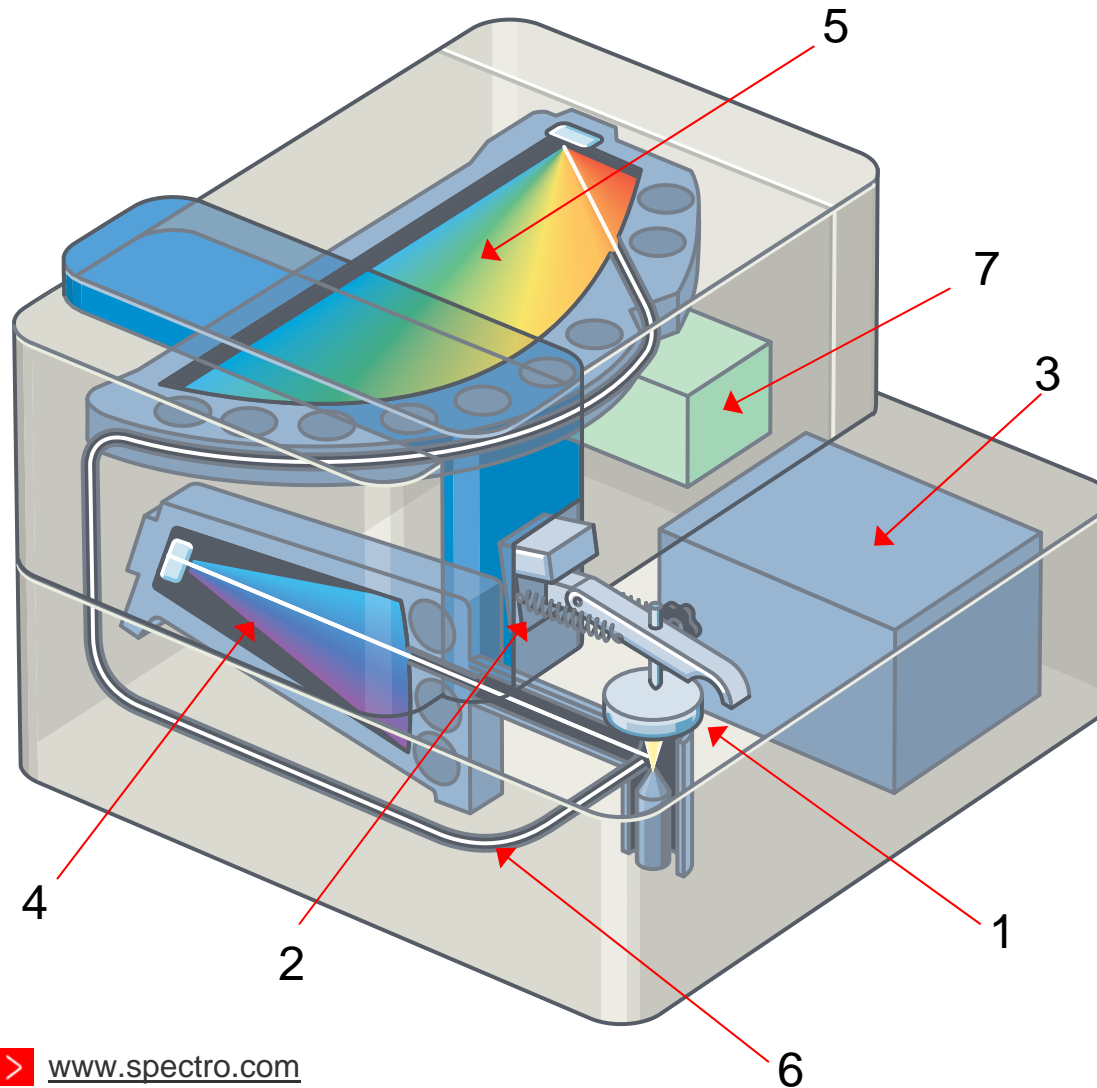




## SPECTROMAXx Schematics



1. Spark Stand
2. Sample Clamp
3. Excitation
4. UV Optic
5. Air Optic
6. Fiber Optic Connection
7. Electronics & Readout